



VICTORIA PLUS SILENT

LONG SERVICE LIFE
AND PERFORMANCE



CLS

COMMERCIAL LEISURE SUPPLIES

ASTRALPOOL PUMPS. EXCELLENCE AT THE HEART OF THE POOL.



VICTORIA PLUS SILENT

Victoria Plus Silent is the widest range of AstralPool pumps that comes to serve any residential pool. It combines high performance and easy maintenance, all in one single speed pump.

Its high-quality materials and careful production ensures it is a long-lasting pump.

LONG SERVICE LIFE

With its **state-of-the-art thermoplastic materials and motor with an IP-55 protection rating**, the Victoria Plus Silent was created with longevity in mind.

Thanks to its **high-quality components**, it can withstand hot environments and high levels of humidity.

Engineered and tested for harsh conditions, it has up to a **5-year warranty**.

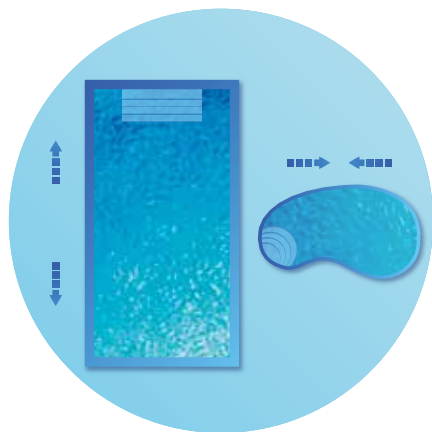
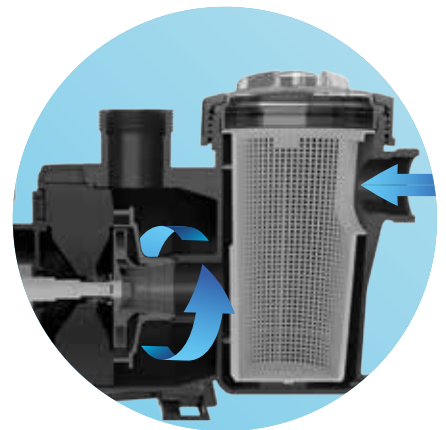


* 3 years warranty + 2 years if the product installation is registered. Check the conditions for warranty extension



SUPERIOR PERFORMANCE

Thanks to its hydraulic and motors designs, the Victoria Plus Silent is a **high-performing** and **efficient** single speed pump with excellent flow and pressure output.



SUITABLE FOR ALL POOLS

Available in a **wide range** of powers for single-phase and three-phase motors, Victoria Plus Silent **adapts to any pool size**.

With high resistance in all the parts in contact with the water, it can be installed in all pool treatments, including **salt water chlorinated pools**.

It is fully backward compatible in pools equipped with Victoria Plus pumps.

Victoria Plus Silent has been **designed and produced in Europe** with high-quality components to be a reliable pump.

All the pumps are tested under the worst conditions before being delivered, to ensure a long-lasting and problems-free life.

* 3 years warranty + 2 years if the product installation is registered. Check the conditions for warranty extension

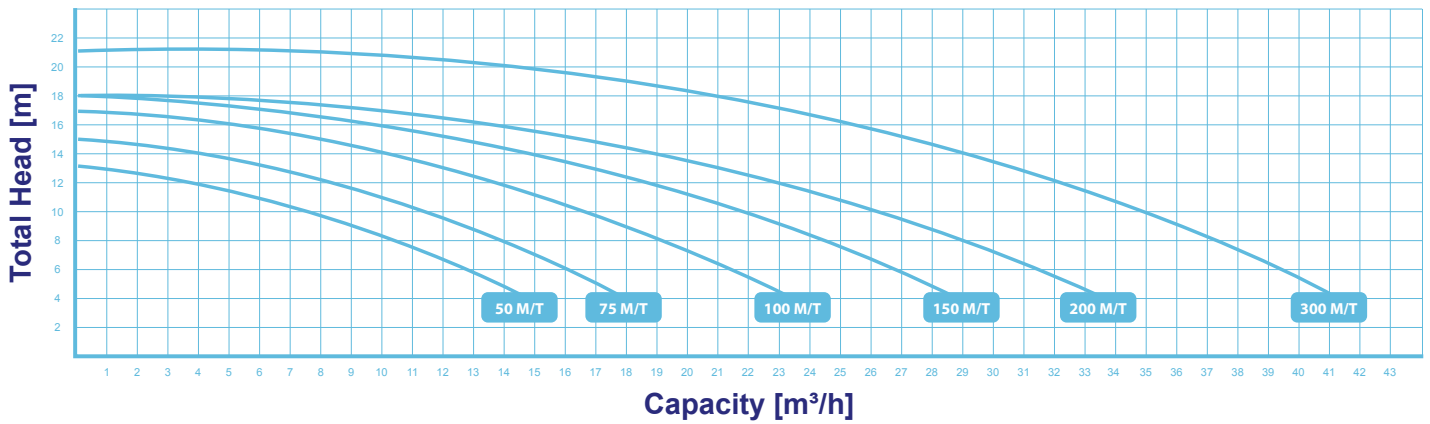


TECHNICAL FEATURES

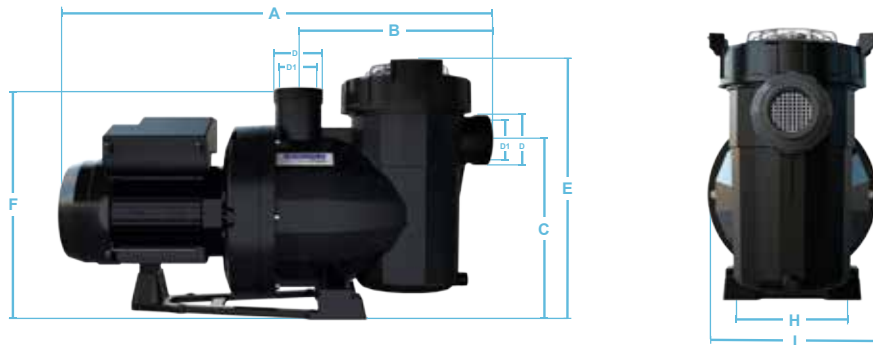


CODE	MODEL	Voltage	Capacity	Head	Max. Head	Max. Capacity at Head=4m	Motor Rated Output	Max. Absorbed Power	Pipe Size	Packaging Weight	Packaging Volume
		U _N (V)	Q _N (m ³ /h)	H _N (m)	H _{MAX} (m)	Q _{MAX} (m ³ /h)	P _{2N} (kW)	P _{1MAX} (kW)	D (mm)	Kg	m ³
65557	50M	230	7,5	10	13	14,5	0,38	0,58	D50	12	0,07
65558	50T	230/400	7,5	10	13	14,5	0,38	0,55	D50	12	0,07
65560	75M	230	11	10	15	18	0,56	0,72	D50	13	0,07
65561	75T	230/400	11	10	15	18	0,56	0,72	D50	13	0,07
65562	100M	230	16	10	17	23,5	0,75	0,98	D50	14	0,07
65563	100T	230/400	16	10	17	23,5	0,75	1,02	D50	14	0,07
65564	150M	230	21,5	10	18	29	1,12	1,40	D63	17	0,07
65565	150T	230/400	21,5	10	18	29	1,12	1,40	D63	17	0,07
65566	200M	230	26	10	18	33,5	1,49	1,80	D63	18	0,07
65567	200T	230/400	26	10	18	33,5	1,49	1,80	D63	19	0,07
65569	300M	230	35	10	21	41	2,24	2,59	D75	23	0,07
65570	300T	230/400	35	10	21	41	2,24	2,40	D75	19	0,07

PERFORMANCE



DIMENSIONS



CODE	DIMENSIONS (mm)								
	A	B	C	D	D1	E	F	H	I
65557	581	281	246	External Thread the Victoria Plus Silent	2" GAS	359	322	164	254
65558	581	281	246		2" GAS	359	322	164	254
65560	581	281	246		2" GAS	359	322	164	254
65561	581	281	246		2" GAS	359	322	164	254
65562	581	281	246		2" GAS	359	322	164	254
65563	581	281	246		2" GAS	359	322	164	254
65564	615	281	246		2" GAS	359	356	164	254
65565	615	281	246		2" GAS	359	356	164	254
65566	615	281	246		2" GAS	359	356	164	254
65567	615	281	246		2" GAS	359	356	164	254
65569	646	281	246		2" GAS	359	387	164	254
65570	615	281	246		2" GAS	359	356	164	254