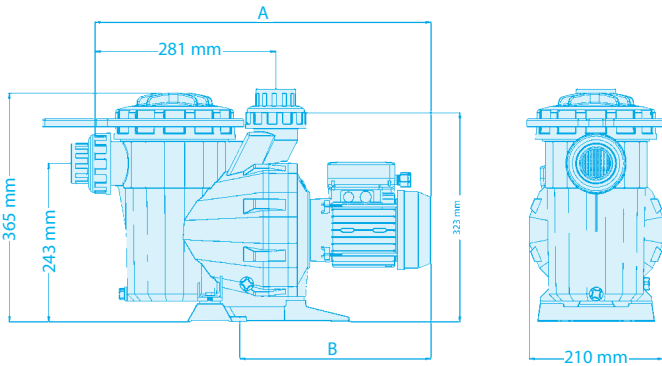


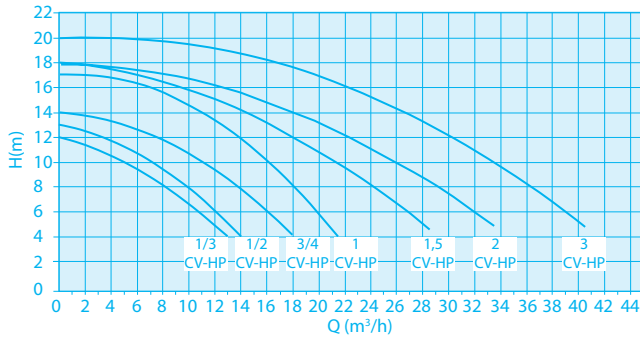


# Nautilus Pump



- Pumps manufactured in plastic suitable for applications with large amounts of suspended particles, ozone treatment and sea water.
- Self priming pump at 3000 rpm.
- Suitable for facilities with all kind of animals.
- Pump body and strainer made of polypropylene reinforced with fibre glass.
- Mechanical seals on AISI 316 stainless steel and silicon carbide.
- Noryl® Impeller.
- Motors with IP-55 protection, 50 Hz. Available at 60 Hz by request.
- Isolation level class 155 that allows the pump to resist internal temperatures up to 155 °C.
- Motor shaft in stainless steel.
- 4,7 litres strainer with transparent lid.
- Solvent socket union end (metric). Other standards could also be available by request.

Performance Curves



Nautilus Pump

Code	Power P1 (kW)	Power P2		Voltage (V)	Intensity (A)			Connections	A (mm)	B (mm)	Net wight (kg)	Packaging volume (m³)
		(kW)	(CV-HP)		II 230 V	III 230 V	III 400 V					
72549	0,55	0,37	0,5	230 II	2,7	-	-	Ø 50 mm - 1 1/2"	562	335	11,5	0,071
72550	0,60	0,37	0,5	400 III	-	2,1	1,2	Ø 50 mm - 1 1/2"	562	335	11,5	0,071
72551	0,78	0,61	0,75	230 II	3,5	-	-	Ø 50 mm - 1 1/2"	562	335	13,5	0,071
72552	0,78	0,60	0,75	400 III	-	2,8	1,6	Ø 50 mm - 1 1/2"	562	335	13	0,071
72553	1,12	0,78	1	230 II	5,3	-	-	Ø 50 mm - 1 1/2"	562	335	14	0,071
72554	1,02	0,78	1	400 III	-	3,1	1,8	Ø 50 mm - 1 1/2"	562	335	14	0,071
72555	1,46	1,10	1,5	230 II	6,8	-	-	Ø 63 mm - 2"	592	366	15	0,071
72556	1,40	1,10	1,5	400 III	-	4,5	2,6	Ø 63 mm - 2"	592	366	15	0,071
72557	1,85	1,50	2	230 II	8,1	-	-	Ø 63 mm - 2"	592	366	17	0,071
72558	1,91	1,46	2	400 III	-	6,0	3,5	Ø 63 mm - 2"	592	366	17	0,071
72559	2,60	2,20	3	230 II	11,0	-	-	Ø 75 mm - 2 1/2"	674	414	18	0,071
72560	2,60	2,20	3	400 III	-	7,8	4,5	Ø 75 mm - 2 1/2"	592	366	19	0,071