



Swimming Pool Ladders



Swimming Pool Ladders

Certikin has built an enviable reputation for high quality and technical innovation and this reputation for quality is reflected in our range of swimming pool ladders. Suitable for both commercial and domestic applications, Certikin swimming pool ladders are available in a choice of styles and in sizes to suit almost every pool.

Engineered in the highest quality grade AISI 316 stainless steel, suitable for use in both fresh water and salt chlorinator pools, Certikin ladders are the result of a programme of research and development into ultimate safety and maximum comfort.

In order to comply with the current version of Commercial Standard EN 13451-2:2015 please order additional double treads for all tread positions on the ladder.

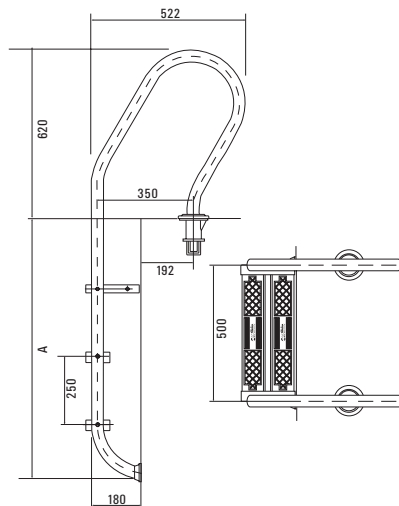
Certikin ladders are constructed using 43mm (1.7") diameter stainless steel tube, with stainless steel treads and escutcheons that are coated in a protective scratch resistant film that is to be removed after installation. This high specification has enabled Certikin to offer a superior quality range of ladders, ruggedly constructed to withstand the rigours of both commercial and domestic use.

In total there are six styles of ladder that cover both commercial and domestic applications, and all are available with a choice of two, three, four or five treads.

The Certikin ladder range includes Standard, Tina and Club ladders as well as an Overflow ladder that has been designed with a longer handrail to enable installation across the overflow channel on a deck level pool a Club Bar Liner Ladder that has been developed specifically for liner pools and incorporates a horizontal bar that rests on the pool surround to minimise wear and tear on liner pools and the two part Undercover ladder for use on pools with automatic covers.

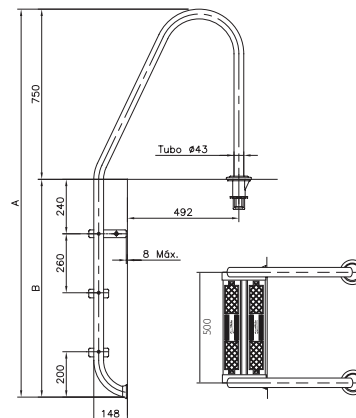
Certikin Ladders

Club Bar Liner Ladder



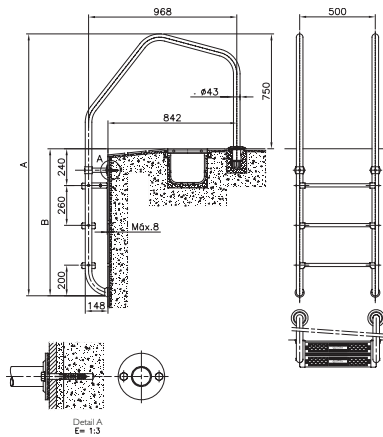
Tread	A
2	710
3	960
4	1210
5	1460

Standard Ladder



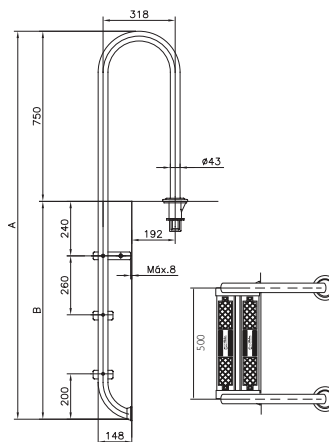
Tread	A	B
2	1450	700
3	1710	960
4	1970	1220
5	2230	1480

Overflow Ladder



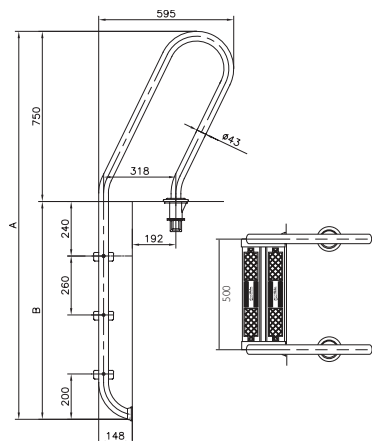
Tread	A	B
2	1450	700
3	1710	960
4	1970	1220
5	2230	1480

Tina Ladder



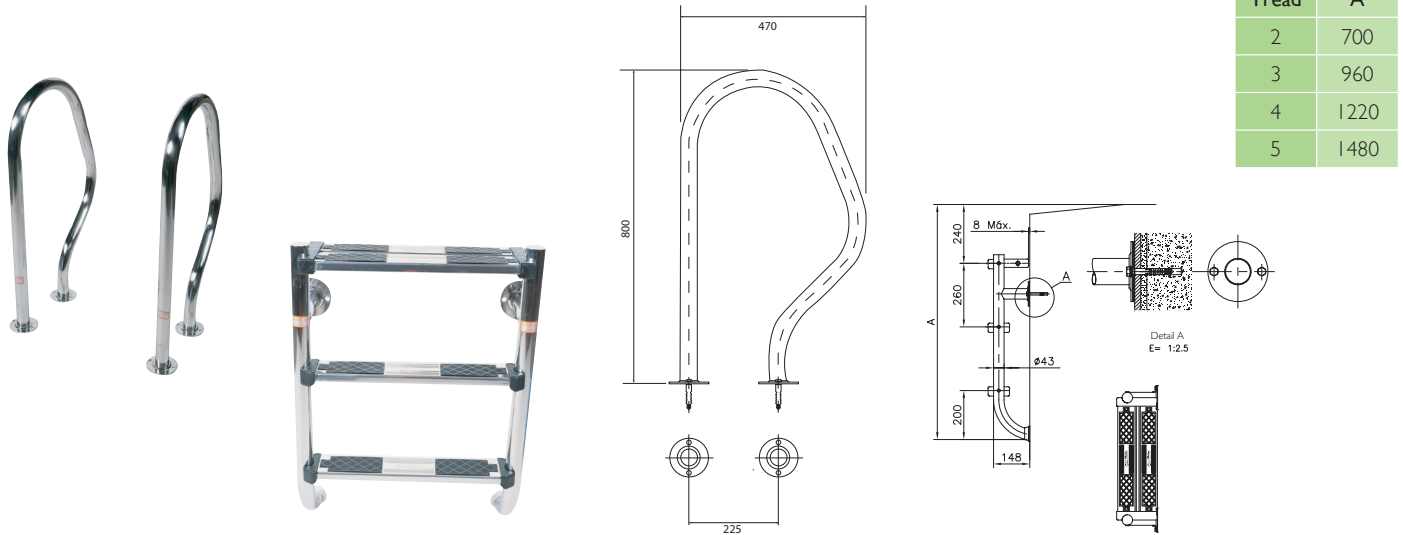
Tread	A	B
2	1450	700
3	1710	960
4	1970	1220
5	2230	1480

Club Ladder



Tread	A	B
2	1450	700
3	1710	960
4	1970	1220
5	2230	1480

Undercover Ladder



Tread	A
2	700
3	960
4	1220
5	1480

Pinch Anchors

The Standard, Tina, Overflow, Club and Club Bar Liner ladders come complete with pinch anchors produced to Certikin's unique design for a secure, sturdy installation on all types of pool surround and come with escutcheon plates for a clean finish. The Undercover ladder comes with flange fixings and bolts.

Anti-Slip treads

All ladders come complete with stainless steel anti-slip treads and in the UK are supplied with a double width top tread to comply with BS EN: 13451-2 and allow safe entry and exit from the pool. (The double width tread is optional in other countries). The foot of the ladder is protected with a rubber shoe to minimise wear and tear on both the pool wall and the ladder itself.



CK17FA
Flanged Anchor



SPC29017D/18
Double Width Top Tread



SPC290/17
Non Slip Stainless Steel Tread

Accessories

A variety of CK17 step swivels are available to allow all ladders to be easily tilted and lifted clear of the water when the swimming pool is covered.



CK17F
Flanged Step Swivels



CK17
Step Swivels

Certikin

FLUIDRA

Unit 9, Witan Park, Avenue 2, Station Lane Industrial Estate, Witney, Oxfordshire, OX28 4FJ, United Kingdom
Email: info@certikin.co.uk

www.certikin.co.uk



Contact your Certikin stockist for prices and availability.



This literature is intended as a guide.
The company reserves the right to change the specifications without notice.